

**This wiring diagram not for use with FYRSTIK REMOTE
(Use wiring diagram that comes with FYRSTIK Remote)**

**HELLFYR REMOTE MOUNT LIGHT fitted to BLAZA,
POWERBEAM, LIGHTFORCE etc type remotes.**

1/. Wiring diagram for remote arms with wired switch.

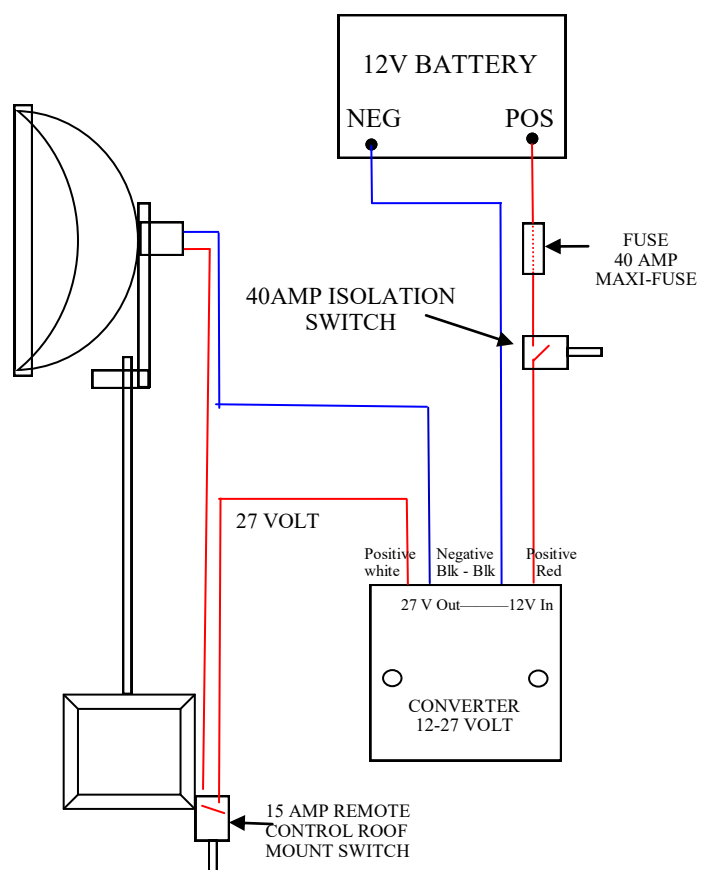
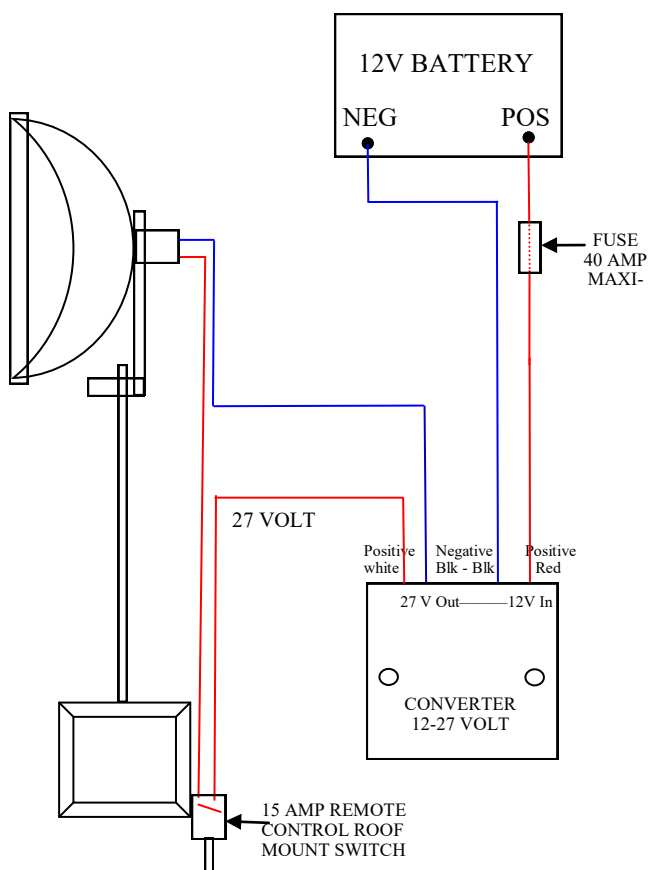
2/. Wiring diagram with isolation switch and and remote arm switch.

Suit Permanent roof mount.

**DANGER : 27 volt converter is not reverse polarity protected.
Reversed 12 volt input connections will destroy the converter
instantly . (NOT covered by WARRANTY)**

Diagram 1/. Suit removable light assembly
Suction bar. Roof rack. Door mount.

Diagram 2/. Suit permanent roof mount-
ing of light assembly



Note:

**Negative & Positive wires from battery to converter 12 volt input to be a minimum of
2.50mm Dia copper wire = approx (10 AWG = 6.00mm wire = 4.9mm²)**

FYRLYT - HELLFYR REMOTE MOUNT LIGHT

Features for the professional user

Suitable for through roof, suction bar, roof rack, door or similar mount systems

- 1/. Fully rebuildable light
- 2/. Machined alloy construction
- 3/. Borosilic Glass lens
- 4/. 12-14 volt input to converter - 27 volt output to light for a nominal 12000 + lumen output
- 5/. Full focus adjustment of beam when in use
- 6/. No tools –easy bulb change
- 7/. Weather proof (not to be submerged)
- 8/. Fitted with 24 volt x 250 watt halogen lamp
- 9/. Front of mounting slot = exact centre of balance / light does not flop forwards or backwards when fitted correctly
- 10/. Fully Oring sealed and Gore type breather for water proofing

Fitting instructions

NOTE: 12– 27 volt converter is not reverse polarity protected on the 12 volt input side.

Ensure the polarity of your wiring is correct before connecting to the battery. Reverse connection will destroy the converter instantly and is not covered by warranty.

Choose type of wiring switching you require —see diagrams 1 & 2

Ensure wiring size is to spec (10 AWG / 6.00) to minimise voltage drop especially if mounting converter behind drivers seat or similar longer wire run. (Current draw is approx. 23 amps at 14 volts on input side and approx. 11 amps @ 27 volts on the output)

If using a removable mounting system /door /suction bar / roof rack.

Then the converter can be mounted directly to the removable bar itself next to the light and remote arm and use alligator clips on cables from battery under the engine hood. Then isolation switch is not required only a 40 amp or larger (maxi fuse recommended) as the light will be removed when finished with.

Diagram 1/. Uses switch (15amp) on removable roof mount control arm for in-use on/off function.

Diagram 2/. Shows the 40 amp isolation switch and the 15 amp remote arm switch - on/off

We advise fitting a 40 amp minimum isolation switch between the battery and the converter when light is mounted permanently to the vehicle. A small “Anderson” plug will do, unplug when finished for the night.

This ensures the converter does not draw amps when not in use / approx 200ma on standby.

Recommended fuse is 40 amp minimum MAXI-FUSE / “not standard blade fuse.”

Light comes assembled with focusing knob in approximate spot beam position.
You will need to adjust focus to suit once fitted.

Changing lamp

Warning: light gets hot when in use. Let cool before changing blown lamp.

When cool to touch, unscrew focus knob from rear of light and withdraw lamp fitting.

Change bulb and ensure it is seated fully with the filament central to the lamp holder.

Before inserting into the light. Burn off lamp by running for 1 minute outside of light to clean any contaminants off the globe to stop contamination of the reflector surface..

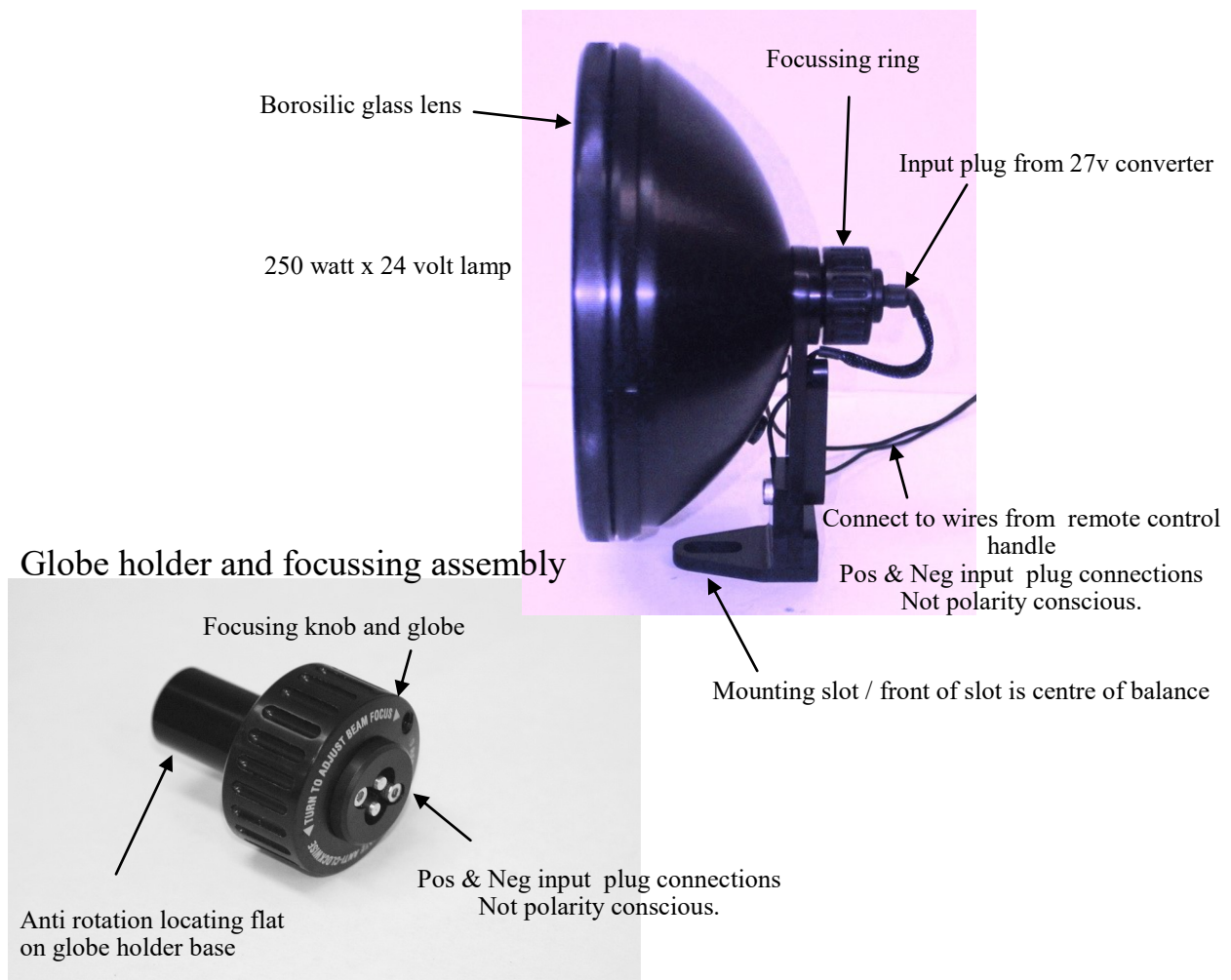
Do not touch lamp glass with fingers as this can shorten lamp life.

If glass is touched clean with alcohol or acetone.

IMPORTANT

Refit the assembly back into the light while ensuring to line up the flat on the bottom of the lamp holder. whilst applying slight thumb pressure to the centre of the focus knob assembly to stop jamming and screw the focus knob almost all the way in (about 3.00mm from base).

Refit input wire plug, switch on light and readjust focus to desired beam width.



Warranty "Our goods come with guarantees that cannot be excluded under the Australian Consumer Law. You are entitled to a replacement or refund for a major failure. You are also entitled to have the goods repaired or replaced if the goods fail to be of acceptable quality and the failure does not amount to a major failure."

Should your FYRLYT product fail to live up to our claims please return to your authorised dealer with proof of purchase for a full refund and accept our invitation to tell us why via our website or alternatively call us.

FYRLYT products are warranted against faulty parts or workmanship for 12 months from date of purchase.

FYRLYT PTY LTD

PO Box 324 Kensington Park, SA 5068 Australia Tele: +61-8-8365-4668 Fax: +61-8-8365-9468 Email: fyrlyt@internode.on.net URL:

www.fyrlyt.com

All logos, images & content subject to international copyright and may not be used without permission © FYRLYT Oct 2010. Other trademarks remain property of relevant registrants.

Products depicted maybe subject to local laws and regulations. It is the responsibility of the user to comply to these conditions. FYRLYT accepts no responsibility for misuse of products

or damages incurred. Product specifications subject to change without notice.