

Installation, Care and Maintenance

Motor Vehicle regulations differ throughout states, territories and countries with respects to methods of wiring, mounting and use. It is recommended to familiarise yourself with these requirements prior to installation.

In the absence of regulatory requirements FYRLYT recommends driving lights are installed such that they turn off when the vehicle high beam is dipped or changed to low beam.

Mounting

It is important to select a mounting location that is rigid and free from significant vibration. FYRLYT's require an 11mm diameter hole located with sufficient space for the light to be adjusted up and down as well as left and right. The FYRLYT Mounting Bracket can be reversed on the housing to provide additional freedom and versatility when mounting. Ensure the housing is free from contact with Bull Bar or vehicle panels and tighten firmly. Allow for flexing of the bulbar on rough roads (Up to 40mm)

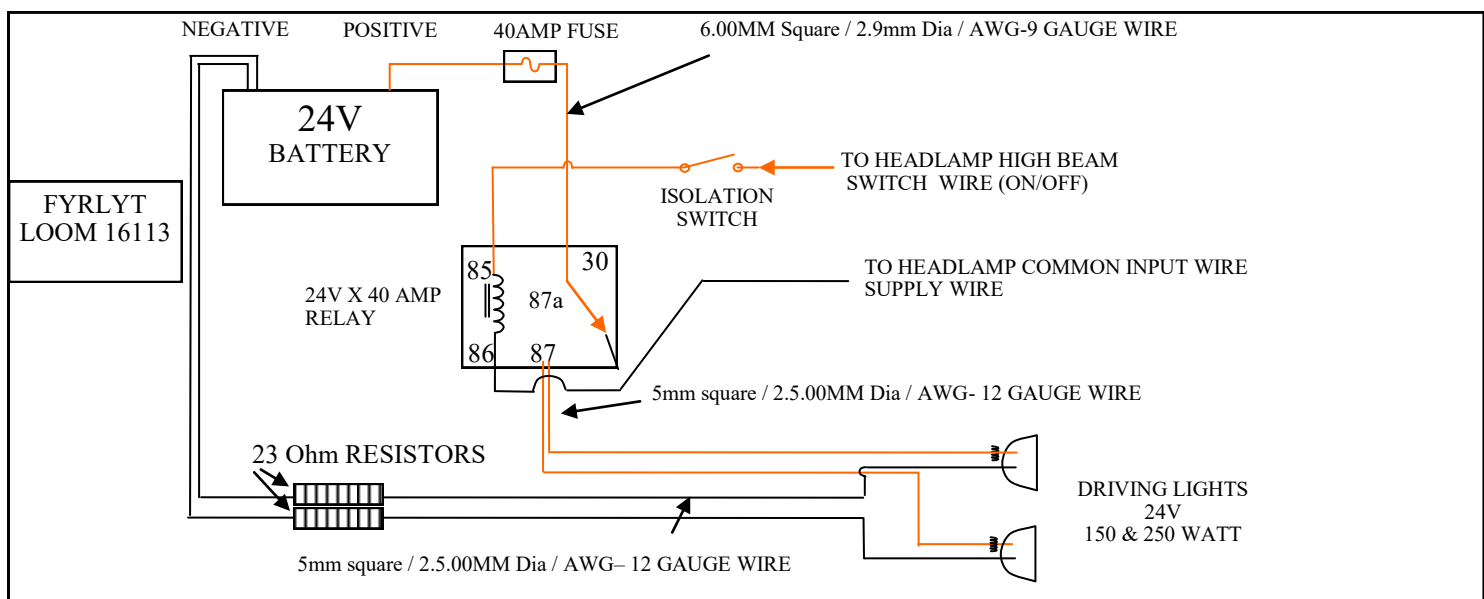
Care, Cleaning and Maintenance

- Clean with a very mild detergent or water only; do not use Gasoline or Hydrocarbon based products or solvents.
- All fasteners should be checked regularly to ensure they remain firm.
- FYRLYT has taken every precaution to prevent the ingress of water or dust. However in the event ingress occurs, remove lens by rotating counter clockwise using thumbs or coins in grooves provided and shake out excess (reverse process to reinstall). Then wipe clean with a soft lens cloth typically used for cleaning reading glasses.
- It may be required to lubricate the lens and globe holder silicone lip seals occasionally. Only use silicone O-ring grease. Under no circumstances use Vaseline or hydrocarbon based lubricants. (This will void warranty)
- Bulb/Globe replacement is facilitated through the aluminium Globe Holder visible at the rear of the light. To remove, press forward and then twist until padlock icon aligns with arrow at top of the light and release. The Globe Holder will eject free into your hand and provide access to the bulb. Reverse the procedure to replace. **Do not touch replacement bulb with bare fingers** as contaminants may cause bulb to prematurely fail. If bulb is contaminated wipe with alcohol or methylated spirits
- All FYRLYT components are available as spare parts.
- **WARNING: Product hot when in use! Tighten 5/16 Allen key mounting cross bolt to min-35 f/lbs (47nm) to max 60 f/lbs (80nm) - very tight. DO not apply lube to the allen head cross bolt**
- **Do apply a grease lubricant to the thread of the vertical mounting bolt and nyloc nut to avoid galling of the thread.**

WIRING DIAGRAM FOR 24 VOLT VEHICLE TWO FYRLYT LAMPS OF 24V x 250WATT

NOTE: If globe life is found to be too short then fit supplied gold 0.30 Ohm resistors in each NEG wire from lights. Note this will also reduce light output.

Fit resistors to a metal panel or chassis rail. CAREFUL: Resistors are very hot when in use.



Warranty "Our goods come with guarantees that cannot be excluded under the Australian Consumer Law. You are entitled to a replacement or refund for a major failure and for compensation for any other reasonably foreseeable loss or damage. You are also entitled to have the goods repaired or replaced if the goods fail to be of acceptable quality and the failure does not amount to a major failure."

Should your FYRLYT product fail to live up to our claims please return to your authorised dealer with proof of purchase for a full refund and accept our invitation to tell us why via our website or alternatively call us.

FYRLYT products are warranted against faulty parts or workmanship for 12 months from date of purchase.

FYRLYT PTY LTD

PO Box 324 Kensington Park, SA 5068 Australia Tele: +61-8-8365-4668 Fax: +61-8-8365-9468 Email: fyrlyt@internode.on.net URL: www.fyrlyt.com

All logos, images & content subject to international copyright and may not be used without permission © FYRLYT Oct 2010. Other trademarks remain property of relevant registrants.

Products depicted maybe subject to local laws and regulations. It is the responsibility of the user to comply to these conditions. FYRLYT accepts no responsibility for misuse of products